

铝电解电容器-牛角型

ALUMINUM ELECTROLYTIC CAPACITOR



Snap In Type, CD292 Series

特性Features

- Load life of 2000 hours at 85°C
在85°C环境中，负荷寿命2000小时
- High ripple current
能承受较高的纹波电流
- Smaller size
小型化



主要技术性能Specification

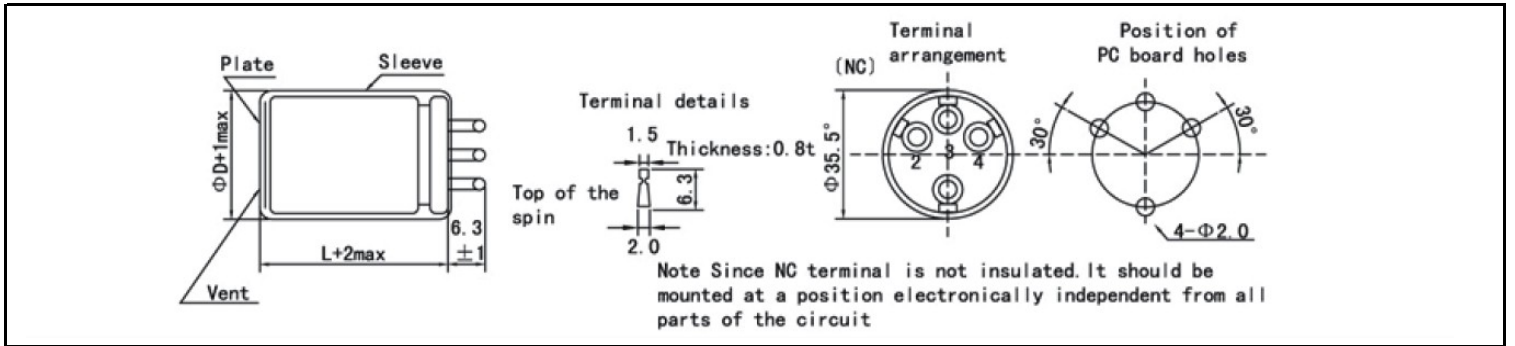
项目 Items	特征 Performance Characteristics																																					
使用温度范围 Operating Temperature Range(°C)	-40 ~ +85°C	-25 ~ +85°C																																				
额定电压范围 Rated Voltage Range(V)	10 ~ 400 VDC	450 ~ 500 VDC																																				
标称容量范围 Capacitance Range(uF)	120 ~ 82000 uF																																					
标称容量偏差范围 Capacitance Tolerance(20°C,120Hz)	± 20%																																					
漏电流 Leakage Current (uA)	After 5 minutes at 20°C application of rated voltage, leakage current is not more than 0.01CV or 1.5mA, whichever is smaller. C: Normal Capacitance(uF) V: Rated Voltage(V) 在20°C下加额定电压5分钟后，漏电流不大于0.01CV或者1.5mA,取最小值。																																					
损耗角正切值 Dissipation Factor(20°C, 120Hz) (tanδ)	<table border="1"> <thead> <tr> <th>Rated Voltage Cap(uF)</th> <th>10~16</th> <th>25</th> <th>35~50</th> <th>63</th> <th>80~100</th> </tr> </thead> <tbody> <tr> <td>≤ 2700</td> <td>-</td> <td>-</td> <td>0.20</td> <td>0.15</td> <td>0.15</td> </tr> <tr> <td>3300 ~ 4700</td> <td>-</td> <td>0.35</td> <td>0.25</td> <td>0.20</td> <td>0.15</td> </tr> <tr> <td>5600 ~ 6800</td> <td>0.40</td> <td>0.35</td> <td>0.30</td> <td>0.20</td> <td>0.20</td> </tr> <tr> <td>≥ 8200</td> <td>0.40</td> <td>0.35</td> <td>0.35</td> <td>0.25</td> <td>-</td> </tr> </tbody> </table>	Rated Voltage Cap(uF)	10~16	25	35~50	63	80~100	≤ 2700	-	-	0.20	0.15	0.15	3300 ~ 4700	-	0.35	0.25	0.20	0.15	5600 ~ 6800	0.40	0.35	0.30	0.20	0.20	≥ 8200	0.40	0.35	0.35	0.25	-	<table border="1"> <thead> <tr> <th>Rated Voltage φD(mm)</th> <th>160~200</th> <th>250~500</th> </tr> </thead> <tbody> <tr> <td>35</td> <td>0.12</td> <td>0.15</td> </tr> </tbody> </table>	Rated Voltage φD(mm)	160~200	250~500	35	0.12	0.15
Rated Voltage Cap(uF)	10~16	25	35~50	63	80~100																																	
≤ 2700	-	-	0.20	0.15	0.15																																	
3300 ~ 4700	-	0.35	0.25	0.20	0.15																																	
5600 ~ 6800	0.40	0.35	0.30	0.20	0.20																																	
≥ 8200	0.40	0.35	0.35	0.25	-																																	
Rated Voltage φD(mm)	160~200	250~500																																				
35	0.12	0.15																																				
低温稳定性 (120Hz下阻抗比) Stability at Low Temperature (Impedance Ratio at 120Hz)	<table border="1"> <thead> <tr> <th>电压Rated Voltage(V)</th> <th>10</th> <th>10~35</th> <th>50~100</th> <th>160~200</th> <th>250~400</th> <th>450~500</th> </tr> </thead> <tbody> <tr> <td>阻抗比 Impedance Ratio</td> <td>Z-25°C/Z+20°C</td> <td>5</td> <td>4</td> <td>3</td> <td>3</td> <td>4</td> <td>4</td> </tr> <tr> <td></td> <td>Z-40°C/Z+20°C</td> <td>18</td> <td>15</td> <td>10</td> <td>6</td> <td>8</td> <td>-</td> </tr> </tbody> </table>		电压Rated Voltage(V)	10	10~35	50~100	160~200	250~400	450~500	阻抗比 Impedance Ratio	Z-25°C/Z+20°C	5	4	3	3	4	4		Z-40°C/Z+20°C	18	15	10	6	8	-													
电压Rated Voltage(V)	10	10~35	50~100	160~200	250~400	450~500																																
阻抗比 Impedance Ratio	Z-25°C/Z+20°C	5	4	3	3	4	4																															
	Z-40°C/Z+20°C	18	15	10	6	8	-																															
耐久性 Load Life	After applying rated voltage with specified ripple current for 2000 hours at 85°C and then resumed 16 hours: 容量变化: 初始值的-20~+20%以内 Capacitance change: within ±15% of the initial value 漏电流: 不大于初始规定值 Dissipation Factor: Not more than initial specified value 损耗角正切: 不超过规定值的2.0倍 Dissipation Factor: Not more than 200% of the specified value																																					
高温储存 Shelf Life	+85°C, 1000小时贮存后，加额定电压30分钟，恢复16小时后 After storage for 1000 hours at +85°C, rated voltage to be applied for 30 minutes and then resumed for 16 hours 容量变化: 初始值的-20~+20%以内 Capacitance change: within ±15% of the initial value 漏电流: 不大于初始规定值 Dissipation Factor: Not more than initial specified value 损耗角正切: 不超过规定值的2.0倍 Dissipation Factor: Not more than 200% of the specified value																																					

纹波电流修正系数Multiplier for ripple current

频率系数Frequency coefficient		环境温度 Temperature °C				
电压Rated Voltage(V)	频率Freq(Hz)	≤+40	+55	+70	+85	+105
	50Hz	2.7	2.5	2.1	1.7	1
	120Hz	2.7	2.5	2.1	1.7	1
	1KHz	2.7	2.5	2.1	1.7	1
	10KHz	2.7	2.5	2.1	1.7	1
	100KHz	2.7	2.5	2.1	1.7	1
	修正系数 Coefficient	2.7	2.5	2.1	1.7	1

外形图 Dimensions

ALUMINUM ELECTROLYTIC CAPACITOR



额定值标准 Rating for CD292 Series

额定值标准 Rating for CD292 Series- Table 1

CD292	U _R	10V(1A)		16V(1C)		25V(1E)		35V(1V)		50V(1H)		63V(1J)		80V(1K)	
Cap(μF)	U _s	13V		20V		32V		44V		63V		79V		100V	
	Code	DxL	(A)	DxL	(A)	DxL	(A)	DxL	(A)	DxL	(A)	DxL	(A)	DxL	(A)
2700	272													35x25	2.5
3900	392											35x25	2.7	35x30	3.2
4700	472													35x35	3.6
5600	562									35x25	2.6	35x30	3.3	35x40	3.5
6800	682											35x35	3.7	35x50	4.1
8200	822							35x25	2.9	35x30	3.0	35x40	3.8		
10000	103									35x35	3.4	35x45	4.3		
12000	123							35x30	3.6	35x40	3.8	35x50	4.8		
15000	153					35x25	3.9	35x35	4.1	35x50	4.5				
18000	183					35x30	4.4	35x40	4.7						
22000	223			35x25	4.4	35x35	5.0	35x45	5.3						
27000	273							35x50	7.0						
33000	333	35x25	4.8	35x30	5.6	35x40	6.5								
39000	393			35x35	6.3	35x45	7.5								
47000	473	35x30	6.0	35x40	7.2										
56000	563	35x35	6.8	35x45	8.0										
68000	683	35x40	7.7												
82000	823	35x45	8.7												

额定值标准 Rating for CD292 Series- Table 2

CD291	U _R	100V(2A)		160V(2C)		200V(2D)		250V(2E)		350V(2V)		400V(2G)		450V(2W)	
Cap(μF)	U _s	125V		200V		250V		300V		400V		450V		500V	
	Code	DxL	(A)	DxL	(A)	DxL	(A)	DxL	(A)	DxL	(A)	DxL	(A)	DxL	(A)
180	181											35x25	1.2	35x25	1.2
220	221									35x25	1.3			35x30	1.3
270	271											35x30	1.5	35x35	1.5
330	331									35x30	1.6	35x35	1.7		
390	391									35x35	1.8	35x40	1.8	35x45	1.9
470	471							35x25	1.9	35x40	2.0	35x40	2.1	35x50	2.2
560	561					35x25	2.0			35x45	2.3	35x50	2.3		
680	681							35x30	2.4	35x50	2.6				
820	821			35x25	2.4	35x30	2.5	35x35	2.6						
1000	102			35x30	2.7	35x35	2.8	35x40	3.0						
1200	122			35x35	3.0	35x40	3.2	35x45	3.4						
1500	152			35x40	3.5	35x50	3.8								
1800	182	35x25	2.2	35x45	3.9										
2200	222	35x30	2.5	35x50	4.5										
3300	332	35x35	4.1												
3900	392	35x40	3.4												
4700	472	35x50	4.0												

ALUMINUM ELECTROLYTIC CAPACITOR

额定值标准 Rating for CD292 Series - Table 3

CD292	U _R	500V(2H)												
Cap(uF)	U _s	550V												
	Code	DxL	(A)											
120	121	35x25	1.0											
180	181	35x30	1.3											
220	221	35x35	1.5											
270	271	35x40	1.7											
330	331	35x45	2.0											
390	391	35x50	2.3											

DxL-尺寸SIZE(φDxLmm) A-额定纹波电流 Rated Ripple Current U_R-额定工作电压 Rated Voltage U_s-浪涌电压 Surge Voltage

Note: All design and specifications are for reference only and is subject to change without prior notice. If any doubt about safety for your application, please contact us immediately for technical assistance before purchase.