

ALUMINUM ELECTROLYTIC CAPACITOR



Snap In, CD291 Series

特性Features

- Load life of 2000 hours at 85°C
在85°C环境中，负荷寿命2000小时
- High ripple current
能承受较高的纹波电流
- Smaller size
小型化



主要技术性能Specification

项目 Items	特征 Performance Characteristics																																								
使用温度范围 Operating Temperature Range(°C)	-40 ~ +85°C	-25 ~ +85°C																																							
额定电压范围 Rated Voltage Range(V)	10 ~ 400 VDC	450 ~ 500 VDC																																							
标称容量范围 Capacitance Range(uF)	100 ~ 82000 uF																																								
标称容量偏差范围 Capacitance Tolerance(20°C,120Hz)	± 20%																																								
漏电流 Leakage Current (uA)	After 5 minutes at 20°C application of rated voltage, leakage current is not more than 0.01CV or 1.5mA, whichever is smaller. C: Normal Capacitance(uF) V: Rated Voltage(V) 在20°C下加额定电压5分钟后，漏电流不大于0.01CV或者1.5mA,取最小值。																																								
损耗角正切值 Dissipation Factor(20°C, 120Hz) (tanδ)	<table border="1"> <thead> <tr> <th>Rated Voltage Cap(uF)</th> <th>10~16</th> <th>25</th> <th>35~50</th> <th>63</th> <th>80~100</th> </tr> </thead> <tbody> <tr> <td>≤ 2700</td> <td>-</td> <td>-</td> <td>0.20</td> <td>0.15</td> <td>0.15</td> </tr> <tr> <td>3300 ~ 4700</td> <td>-</td> <td>0.35</td> <td>0.25</td> <td>0.20</td> <td>0.15</td> </tr> <tr> <td>5600 ~ 6800</td> <td>0.40</td> <td>0.35</td> <td>0.30</td> <td>0.20</td> <td>0.20</td> </tr> <tr> <td>≥ 8200</td> <td>0.40</td> <td>0.35</td> <td>0.35</td> <td>0.25</td> <td>-</td> </tr> </tbody> </table>	Rated Voltage Cap(uF)	10~16	25	35~50	63	80~100	≤ 2700	-	-	0.20	0.15	0.15	3300 ~ 4700	-	0.35	0.25	0.20	0.15	5600 ~ 6800	0.40	0.35	0.30	0.20	0.20	≥ 8200	0.40	0.35	0.35	0.25	-	<table border="1"> <thead> <tr> <th>Rated Voltage φD(mm)</th> <th>160~200</th> <th>250~500</th> </tr> </thead> <tbody> <tr> <td>30</td> <td>0.10</td> <td>0.15</td> </tr> <tr> <td>35</td> <td>0.10</td> <td>0.15</td> </tr> </tbody> </table>	Rated Voltage φD(mm)	160~200	250~500	30	0.10	0.15	35	0.10	0.15
Rated Voltage Cap(uF)	10~16	25	35~50	63	80~100																																				
≤ 2700	-	-	0.20	0.15	0.15																																				
3300 ~ 4700	-	0.35	0.25	0.20	0.15																																				
5600 ~ 6800	0.40	0.35	0.30	0.20	0.20																																				
≥ 8200	0.40	0.35	0.35	0.25	-																																				
Rated Voltage φD(mm)	160~200	250~500																																							
30	0.10	0.15																																							
35	0.10	0.15																																							
低温稳定性 (120Hz下阻抗比) Stability at Low Temperature (Impedance Ratio at 120Hz)	<table border="1"> <thead> <tr> <th>电压Rated Voltage(V)</th> <th>10</th> <th>10~35</th> <th>50~100</th> <th>160~200</th> <th>250~400</th> <th>450~500</th> </tr> </thead> <tbody> <tr> <td>阻抗比 Impedance Ratio</td> <td></td> <td></td> <td></td> <td></td> <td></td> <td></td> </tr> <tr> <td>Z-25°C/Z+20°C</td> <td>5</td> <td>4</td> <td>3</td> <td>3</td> <td>4</td> <td>4</td> </tr> <tr> <td>Z-40°C/Z+20°C</td> <td>18</td> <td>15</td> <td>10</td> <td>6</td> <td>8</td> <td>-</td> </tr> </tbody> </table>	电压Rated Voltage(V)	10	10~35	50~100	160~200	250~400	450~500	阻抗比 Impedance Ratio							Z-25°C/Z+20°C	5	4	3	3	4	4	Z-40°C/Z+20°C	18	15	10	6	8	-												
电压Rated Voltage(V)	10	10~35	50~100	160~200	250~400	450~500																																			
阻抗比 Impedance Ratio																																									
Z-25°C/Z+20°C	5	4	3	3	4	4																																			
Z-40°C/Z+20°C	18	15	10	6	8	-																																			
耐久性 Load Life	After applying rated voltage with specified ripple current for 2000 hours at 85°C and then resumed 16 hours: 容量变化：初始值的-20~+20%以内 Capacitance change: within ±15% of the initial value 漏电流：不大于初始规定值 Dissipation Factor: Not more than initial specified value 损耗角正切：不超过规定值的2.0倍 Dissipation Factor: Not more than 200% of the specified value																																								
高温储存 Shelf Life	+85°C, 1000小时贮存后，加额定电压30分钟，恢复16小时后 After storage for 1000 hours at +85°C, rated voltage to be applied for 30 minutes and then resumed for 16 hours 容量变化：初始值的-20~+20%以内 Capacitance change: within ±15% of the initial value 漏电流：不大于初始规定值 Dissipation Factor: Not more than initial specified value 损耗角正切：不超过规定值的2.0倍 Dissipation Factor: Not more than 200% of the specified value																																								

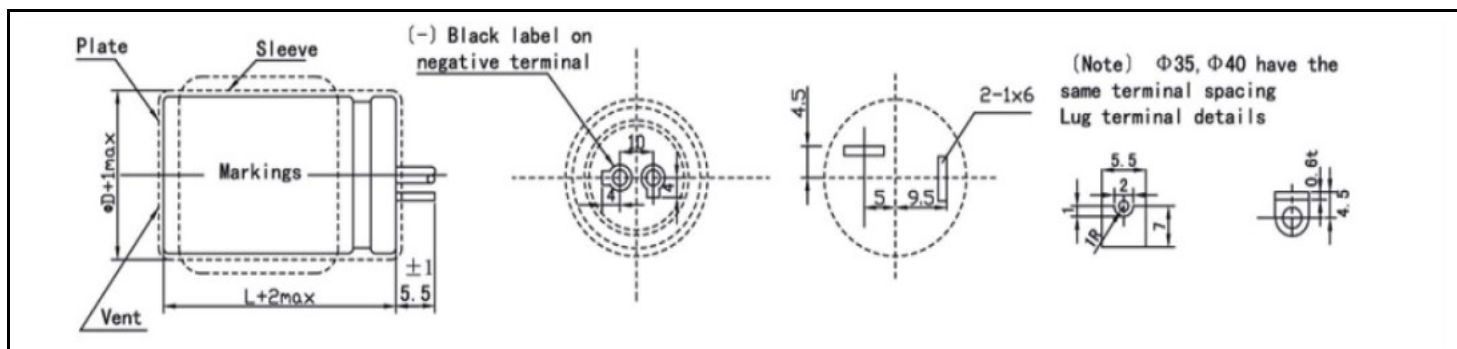
纹波电流修正系数Multiplier for ripple current

频率系数Frequency coefficient					
电压Rated Voltage(V)	50Hz	120Hz	1KHz	10KHz	100KHz
≤ 100	0.95	1.00	1.10	1.15	1.15
160~250	0.87	1.00	1.11	1.18	1.20
≥ 8200	0.80	1.00	1.14	1.19	1.20

环境温度 Temperature °C	≤+40	+55	+70	+85	105
修正系数 Coefficient	2.7	2.5	2.1	1.7	1

ALUMINUM ELECTROLYTIC CAPACITOR

外形图 Dimensions



额定值标准 Rating for CD291 Series

额定值标准 Rating for CD291 Series- Table 1

CD291	U _R	10V(1A)		16V(1C)		25V(1E)		35V(1V)		50V(1H)		63V(1J)		80V(1K)	
Cap(μF)	U _s	13V		20V		32V		44V		63V		79V		100V	
	Code	DxL	(A)	DxL	(A)	DxL	(A)	DxL	(A)	DxL	(A)	DxL	(A)	DxL	(A)
2200	222													30x25	2.2
2700	272													30x30	2.5
3300	332													35x25	2.5
3900	392													30x25	2.3
														30x35	2.8
4700	472													30x25	2.4
														30x30	2.6
5600	562													30x30	2.5
														30x35	3.2
6800	682													35x25	2.7
														35x30	3.2
8200	822													30x45	3.6
														35x35	3.6
10000	103													30x30	2.5
														30x35	3.2
														35x25	2.6
														35x30	3.3
														35x40	3.5
12000	123													30x25	2.7
														30x35	2.8
														30x40	3.0
														30x50	3.7
														35x50	4.1
														35x35	3.7
														35x35	3.7
														35x40	3.8
														35x40	3.8
														35x45	4.3
														35x35	3.4
														35x35	3.4
														35x50	4.8
														35x40	3.8
														35x40	3.8
15000	153													30x25	3.4
														35x25	3.9
														30x45	4.1
														35x50	4.5
														35x35	4.1
18000	183													30x35	4.2
														30x50	4.6
														35x30	4.4
														35x40	4.7
22000	223													30x35	5.0
														30x40	4.8
														35x45	5.3
														35x25	4.4
														35x35	5.0
27000														30x35	5.0
														35x50	7.0
33000	333													30x30	4.8
														30x40	5.6
														35x40	6.5
														35x25	4.8
														35x30	5.6
39000	393													30x35	5.3
														30x45	6.2
														35x45	7.5
														35x35	6.3
47000	473													30x40	6.0
														30x50	7.0
														35x30	6.0
														35x40	7.2
56000	563													30x45	6.7
														35x45	8.0
														35x35	6.8
68000	683													30x50	7.5
														35x40	7.7
82000	823													35x45	8.7

ALUMINUM ELECTROLYTIC CAPACITOR

额定值标准 Rating for CD291 Series- Table 2

CD291	U _R	100V(2A)		160V(2C)		200V(2D)		250V(2E)		350V(2V)		400V(2G)		450V(2W)	
Cap(uF)	U _s	125V		200V		250V		300V		400V		450V		500V	
	Code	DxL	(A)	DxL	(A)	DxL	(A)	DxL	(A)	DxL	(A)	DxL	(A)	DxL	(A)
150	151											30x25	0.95	30x30	0.98
180	181									30x25	1.1	30x30	1.1	30x35	1.1
												35x25	1.2	35x25	1.2
220	221									30x30	1.2	30x35	1.2	30x40	1.3
												35x25	1.3		35x30
270	271											30x35	1.4	30x40	1.4
													35x30	1.5	35x35
330	331							30x25	1.5	35x30	1.6	30x45	1.6		
												35x35	1.7		
390	391											30x40	1.7	30x50	1.8
												35x35	1.8	35x40	1.8
470	471					30x25	1.9	30x30	1.8	30x45	2.0	35x45	2.1	35x50	2.2
								35x25	1.9	35x40	2.0				
560	561			30x25	2.0	30x30	2.1	30x35	2.0	35x45	2.3		2.3		
						35x25	2.0								
680	681					30x35	2.4	30x40	2.3						
								35x30	2.4						
820	821			30x30	2.5	30x40	2.7	30x45	2.6						
				35x25	2.4	35x30	2.5	35x35	2.6						
1000	102			30x35	2.8	30x45	3.1	35x40	3.0						
				35x30	2.7	35x35	2.8								
1200	122			30x40	3.2	30x50	3.4	35x45	3.4						
				35x35	3.0	35x40	3.2								
1500	152	30x25	1.8	30x45	3.7	35x50	3.8								
				35x40	3.5										
1800	182	30x30	2.1	35x45	3.9										
		35x25	2.2												
2200	222	30x35	2.3	35x50	4.5										
		35x30	2.5												
2700	272	30x40	2.7												
3300	332	30x45	3.0												
		35x35	3.1												
3900	392	30x50	3.4												
		35x40	3.4												
4700	472	35x50	4.0												

额定值标准 Rating for CD291 Series - Table 3

CD291	U _R	500V(2H)													
Cap(uF)	U _s	550V													
	Code	DxL	(A)												
100	101	30x25	0.9												
120	121	30x30	1.0												
		35x25	1.0												
150	151	30x35	1.2												
180	181	30x40	1.4												
		35x30	1.3												
220	221	30x45	1.6												
		35x35	1.5												
270	271	30x50	1.8												
		35x40	1.7												
330	331	35x45	2.0												
390	391	35x50	2.3												

DxL-尺寸SIZE(φDxLmm) A-额定纹波电流 Rated Ripple Current U_R-额定工作电压 Rated Voltage U_s-浪涌电压 Surge Voltage

Note: All design and specifications are for reference only and is subject to change without prior notice. If any doubt about safety for your application, please contact us immediately for technical assistance before purchase.