

CD138 Series



Aluminum Electrolytic Capacitors 铝电解电容器

- ◆ 5000 hours at 85°C
- ◆ Long Life
- ◆ High Currents for High Professional Applications and High Power Inverter



【Specifications 主要技术性能】

Item 项目	Performance Characteristics 特征
Operating Temperature Range (°C) 使用温度范围	-40~+85
Rated Voltage Range (V) 额定电压范围	350~450
Nominal Capacitance Range (µF) 标称容量范围	1000~18000
Capacitance Tolerance 标称容量允许偏差(20°C, 120Hz)	±20%
Leakage Current(µA) 漏电流	After 5 minutes at 20°C application of rated voltage, leakage current is not more than 0.01CV or 1.5mA, whichever is smaller. C: Nominal Capacitance (µF) V: Rated Voltage(V) 在20°C下加额定电压5分钟后, 漏电流不大于0.01CV或1.5mA, 取最小值。
Dissipation Factor (20°C, 120Hz) 损耗角正切值(tanδ)	Less than 0.15 小于0.15
Load Life 耐久性	After applying rated voltage with specified ripple current for 5000 hours at +85°C and then resumed 16 hours +85°C施加带纹波电流的额定电压5000小时, 恢复16小时后 Capacitance Change: ±20% Initial measured value 电容量变化率: ±20%初始测量值以内 Leakage Current: Not more than Initial specified value 漏电流: 不大于初始规定值 Dissipation Factor: Not more than 200% Initial specified value 损耗角正切值: 不大于2倍初始规定值
Shelf Life 高温贮存	After storage for 1000 hours at +85°C, Ur to be applied for 30 minutes and then resumed 16 hours +85°C, 1000小时贮存后, 加额定工作电压处理30分钟, 恢复16小时后 Capacitance Change: ±20% Initial measured value 电容量变化率: ±20%初始测量值以内 Leakage Current: Not more than Initial specified value 漏电流: 不大于初始规定值 Dissipation Factor: Not more than 200% Initial specified value 损耗角正切值: 不大于2倍初始规定值

【Multiplier for ripple current 纹波电流修正系数】

Frequency coefficient 频率系数

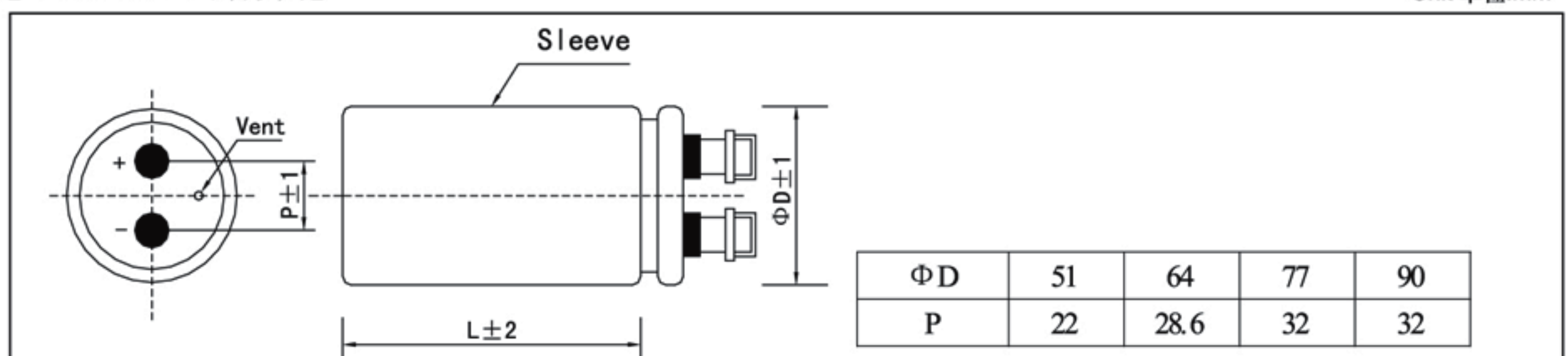
Freq(Hz)	50Hz	120Hz	300Hz	1KHz	≥10KHz
Factor	0.70	1.00	1.10	1.30	1.40

Temperature coefficient 温度系数

Temperature(°C) 环境温度	≤+40	+55	+70	+85	+85
Coefficient 修正系数	2.7	2.5	2.1	1.7	1

【Dimensions 外形图】

Unit 单位:mm



CD138 Series

【Ratings for CD138 PC Series 额定值标准】

CD138	U _R	350V(2G)		400V(2G)		450V(2W)	
Cap (μF)	U _s	400V		450V		500V	
	Code	D×L	(A)	D×L	(A)	D×L	(A)
1000	102			51×83	5.00	51×83	5.00
1200	122	51×83	5.50	51×83	5.50	51×96	6.00
1500	152	51×83	6.10	51×96	6.70	51×115	7.20
1800	182	51×96	7.40	51×96	7.40	51×130	8.30
2200	222	51×96	8.20	51×130	9.20	64×96	9.00
2700	272	51×130	10.20	64×96	9.90	64×115	10.70
3300	332	51×130	11.30	64×115	11.80	64×130	12.40
3900	392	64×115	12.80	64×130	13.50	77×115	13.60
4700	472	64×130	14.80	77×115	14.90	77×130	15.60
5600	562	77×115	16.30	77×130	17.00	77×155	18.30
6800	682	77×130	18.80	77×155	20.20	90×157	21.40
8200	822	77×155	22.10	90×157	23.50	90×157	23.50
10000	103	90×157	25.90	90×157	25.90	90×196	28.30
12000	123	90×157	28.40	90×196	31.00	90×236	33.60
15000	153	90×196	34.60	90×236	37.50		
18000	183	90×236	41.40				

Rated ripple current 额定纹波电流 (A,+85℃,120Hz)
Size 尺寸(ΦD×L)

U_R-Rated voltage 额定工作电压
U_s-Surge voltage 浪涌电压

Customer products are available on request
客户产品可根据要求定制