

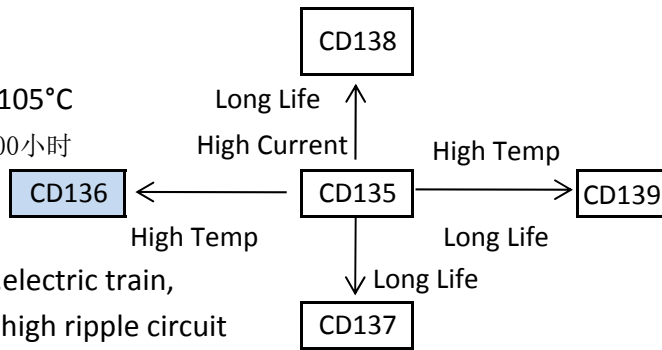
ALUMINUM ELECTROLYTIC CAPACITOR



Screw Terminal, CD136 Series

特性Features

- Load life of 2000 hours at 105°C
在105°C环境中，负荷寿命2000小时
- High Ripple Current
高纹波电流
- Used for computer power, electric train, general-purpose inverter, high ripple circuit of electric vehicle.
用于电脑电源，工业用逆变器，高纹波电流等电路中



主要技术性能Specification

项目 Items	特征 Performance Characteristics		
使用温度范围 Operating Temperature Range(°C)	-25 ~ +105°C		
额定电压范围 Rated Voltage Range(V)	160~ 450 VDC		
标称容量范围 Capacitance Range(uF)	270~ 39000 uF		
标称容量偏差范围 Capacitance Tolerance(20°C,120Hz)	± 20%		
漏电流 Leakage Current (uA)	After 5 minutes at 20°C application of rated voltage, leakage current is not more than 0.02CV or 5mA, whichever is smaller. C: Normal Capacitance(uF) V: Rated Voltage(V) 在20°C下加额定电压5分钟后，漏电流不大于0.02CV或者5mA,取最小值。		
损耗角正切值 Dissipation Factor(20°C, 120Hz) (tanδ)	Rated Voltage(V)	160~250VDC	350~450VDC
	tanδ	0.25	0.20
低温稳定性 (120Hz下阻抗比) Stability at Low Temperature (Impedance Ratio at 120Hz)	电容量变化 Capacitance change 在-25°C温度下测试，电容量变化不得小于20°C容量的70% 160~450VDC:Capacitance at -25°C shall not be less than 70% of the 20°C value		
耐久性 Load Life	+105°C额定电压（叠加规定纹波电流）2000小时试验后常温放置16h 测定 After applying rated voltage with specified ripple current for 2000 hours at 85°C and then resumed 16 hours: 电容量变化：初始值的-20~+20%以内 Capacitance change: within ±20% of the initial value 漏电流：不大于初始规定值 Dissipation Factor: Not more than initial specified value 损耗角正切：不超过规定值的2.0倍Dissipation Factor: Not more than 200% of the specified value		
高温储存 Shelf Life	+105°C, 500小时贮存后，加额定电压60分钟，恢复24~48小时后 After storage for 500 hours at +85°C, rated voltage to be applied for 60 minutes and then resumed for 24~48 hours 电容量变化：初始值的-20~+20%以内Capacitance change: within ±20% of the initial value 漏电流：不大于初始规定值 Dissipation Factor: Not more than initial specified value 损耗角正切：不超过规定值的2.0倍Dissipation Factor: Not more than 200% of the specified value		

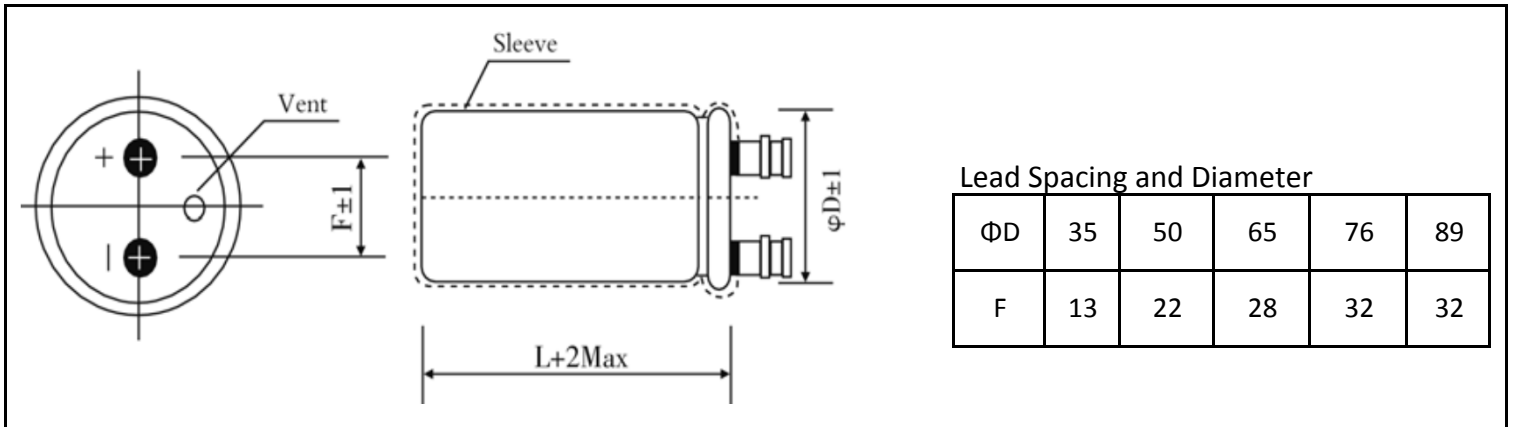
纹波电流修正系数Multiplier for ripple current

频率系数Frequency coefficient					
频率Freq(Hz)	50Hz	120Hz	1KHz	10KHz	100KHz
Coefficient	0.70	1.00	1.10	1.30	1.40

环境温度 Temperature °C	≤+40	+55	+70	+85	+105
修正系数 Coefficient	2.7	2.5	2.1	1.7	1.0

外形图 Dimensions

ALUMINUM ELECTROLYTIC CAPACITOR



Lead Spacing and Diameter

ΦD	35	50	65	76	89
F	13	22	28	32	32

额定值标准 Rating for CD136 Series

额定值标准 Rating for CD136 Series

CD136	U _R	160V(2C)	200V(2D)	250V(2E)	350V(2V)	400V(2G)	450V(2W)	500V(2H)							
Cap(uF)	U _s	200V		250V		300V		400V		450V		500V		550V	
	Code	DxL	(A)	DxL	(A)	DxL	(A)	DxL	(A)	DxL	(A)	DxL	(A)	DxL	(A)
270	271	-	-	-	-	-	-	-	-	-	-	35X53	3.7	-	-
330	331	-	-	-	-	-	-	-	-	35X53	4.1	35X83	4.9	-	-
390	391	-	-	-	-	-	-	35X53	4.5	35X83	5.3	35X83	4.3	-	-
470	471	-	-	-	-	-	-	35X83	5.8	35X83	5.8	35X83	5.6	-	-
560	561	-	-	-	-	-	-	35X83	6.4	35X100	6.4	35X100	6.9	-	-
680	681	-	-	-	-	-	-	35X83	7.0	35X100	7.6	35X100	7.6	-	-
820	821	-	-	-	-	-	-	35X100	8.3	35X100	8.3	50X75	8.6	-	-
1000	102	-	-	-	-	-	-	50X75	9.2	50X75	9.4	50X75	9.4	-	-
1200	122	-	-	-	-	-	-	50X75	10.3	50X75	10.3	50X96	11.4	-	-
1500	152	-	-	-	-	35X100	8.7	50X96	11.5	50X96	12.7	50X115	13.7	-	-
1800	182	-	-	-	-	35X100	9.5	50X96	13.9	50X96	13.9	50X130	15.8	-	-
2200	222	-	-	35X100	10.6	50X75	10.8	50X130	15.4	50X115	17.4	65X96	17	-	-
2700	272	-	-	35X121	12.7	50X75	12.0	50X130	19.3	50X130	18.8	65X110	20.2	-	-
3300	332	35X121	14.0	50X75	13.3	50X96	14.6	65X115	21.4	65X120	22.2	65X130	23.4	-	-
3900	392	50X75	14.4	50X75	14.4	50X115	17.0	65X130	24.2	65X130	25.4	76X110	25.6	-	-
4700	472	50X75	15.8	50X96	17.4	65X96	19.2	65X130	27.9	76X120	28.2	76X130	29.4	-	-
5600	562	50X96	19.0	50X115	20.4	65X96	21.0	76X115	30.7	76X150	32.2	76X157	34.6	-	-
6800	682	50X96	21.0	50X130	12.7	65X115	24.7	76X155	35.4	76X180	38.0	89X157	40.5	-	-
8200	822	50X115	24.7	65X96	25.4	65X115	27.1	76X155	41.7	89X157	44.4	89X157	44.6	-	-
10000	103	65X96	28.0	65X96	28.0	65X130	31.5	89X157	49.0	89X157	49.4	89X196	53.9	-	-
12000	123	65X96	30.6	76X96	32.6	76X115	34.8	89X157	54.1	89X196	59.1	89X236	63.8	-	-
15000	153	65X130	38.6	76X96	39.0	76X130	40.8	89X196	66.2	89X236	71.1	-	-	-	-
18000	183	65X130	42.4	76X130	44.6	76X155	57.8	89X236	76.9	-	-	-	-	-	-
22000	223	76X130	49.4	76X155	53.0	89X157	56.5	-	-	-	-	-	-	-	-
27000	273	76X130	54.7	89X131	59.2	-	-	-	-	-	-	-	-	-	-
33000	333	89X131	65.2	89X157	69.0	-	-	-	-	-	-	-	-	-	-
39000	393	90X157	75.3	-	-	-	-	-	-	-	-	-	-	-	-

DxL-尺寸SIZE(ΦDxLmm) A-额定纹波电流 Rated Ripple Current U_R-额定工作电压 Rated Voltage U_s-浪涌电压 Surge Voltage

Customer Products are available on request

可根据客户要求定制产品

Note: All design and specifications are for reference only and is subject to change without prior notice. If any doubt about safety for your application, please contact us immediately for technical assistance before purchase.